



INSTALLATION INSTRUCTIONS

S&B P/N 75-1533

**2003-2004
DODGE RAM 1500
HEMI 5.7L**

QTY PARTS LIST

- 1 4.5" - 2" Adapter
- 1 3.75- 3" Adapter
- 1 Intake Tube
- 1 Intake Box
- 1 Intake Scoop
- 1 CARB Sticker
- 1 Instruction Sheet
- 2 #60 Hose Clamps
- 2 #72 Hose Clamps

QTY PARTS LIST (continued)

- 1 Steel Ring Adapter
- 1 Ring Gasket
- 4 10-24 Pan Head Screws
- 4 #10 Washers
- 1 Air Filter

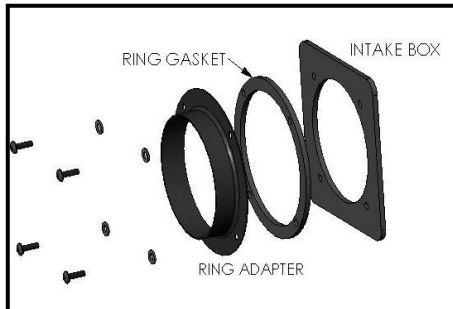
TOOLS REQUIRED

- 13mm Wrench
- 5/16" Nut Driver or Socket
- Phillips Head Screwdriver
- Flat Head Screwdriver

1. Turn off engine and disconnect negative battery terminal. Loosen clamps and remove stock air intake tube.



4. Assemble gasket and flange adapter to air box with screws and washers provided in this kit.



7. Install tube into box and into adapter on intake housing with #60 hose clamp.



2. Firmly lift up and remove stock air box.



5. Install S&B Cold Air Shield with bolts removed from Step #3.



8. Install 4 1/2" x 2" adapter sleeve and #72 hose clamps on scoop. Leave loose.



3. Remove the two (2) bolts that hold air box bracket to fender. Retain bolts for use in Step #5.



6. Install 3 3/4" x 3" adapter on the intake housing with #60 hose clamp provided in this kit.



9. Install scoop onto box and tighten clamps.



INSTALLATION INSTRUCTIONS (continued)

10. Install filter onto air tube with hose clamp provided.



11. Completed Cold Air Intake Kit Installation Picture.



12. Ensure all connections are tight and positioned properly before starting vehicle. Reconnect negative battery terminal.

Smog Certification Note:

The California Air Resource Board (CARB) requires that an E.O. identification label be applied to the vehicle in order to pass a smog check inspection when a High Performance Intake Kit has been installed.

You must place the E.O. label provided on or near the intake kit after installation so that a smog check technician can easily verify the E.O. number.

PERFORMANCE TESTING

- * Engage parking brake and start your engine. To ensure that the system was installed properly, listen for abnormal noises. If an air leak is detected, re-inspect hoses and connections as they may need to be tightened.
- * S&B FILTERS RECOMMENDS THAT YOU KEEP YOUR OEM INTAKE SYSTEM IN THE EVENT IT IS REQUIRED IN THE FUTURE.
- * In order to maintain proper warranty, all connections and components must be checked periodically for realignment and to tighten all connections. Failure to do so will void your warranty.
- * Use only S&B cleaning and oil products to service your filter. Using other company's oil and cleaner products may void your warranty.

Please call (909) 947-0015 should you have any questions or comments.